

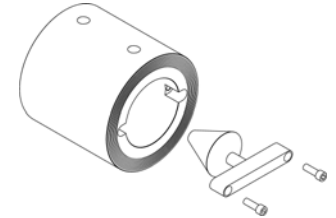
MODEL **VH**

Designed for Flanged Pipelines

Patent 5,814,738

**DESCRIPTION AND GENERAL PERFORMANCE SPECIFICATIONS**

The Wafer-Cone flowmeter is a differential pressure type flow measurement device. A cone is positioned in the center of the pipe to increase the velocity of the flowing fluid and create a differential pressure. This pressure difference can be measured and used to accurately interpret flowrate. Wafer-Cone flowmeters can be ordered with either a flanged transmitter direct mount or threaded taps for remote mounting.



Typical performance specifications:

- Accuracy: ±1.0% of rate \*
- Turndown: 10:1
- Repeatability: ±0.1%
- Standard Betas: 0.45 through 0.85
- Headloss: % of Dp, varies with beta ratio
- Installation: 1-3 diameters upstream and 1 diameter downstream

Unique Features:

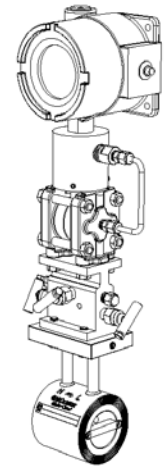
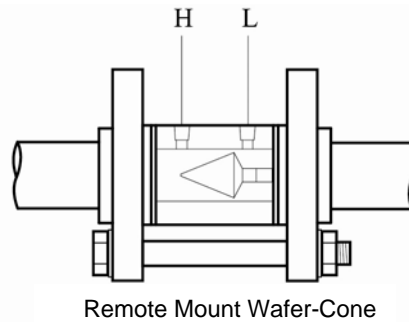
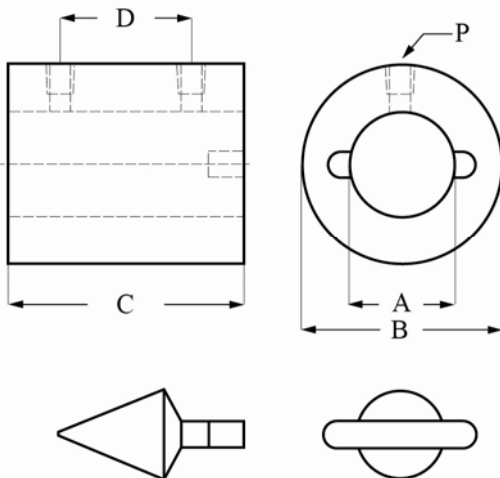
- No Welding (on remote mount option)
- Interchangeable Wafer-Cone Elements

Options:

- Gas or Oil Flow Calibration

\* Each Wafer-Cone is sized for the intended application. Specific performance ratings must be obtained through the sizing process.

**MODEL VH**



Direct Mount Wafer-Cone

**DIMENSION TABLE**

Model	Remote And Direct Mount (Inches)					Remote And Direct Mount (Milimeters)					Pressure Ports	
	Size inch	A inch	C inch	D inch	B inch	Size mm	A mm	C mm	D mm	B mm	P NPT inch	P RC inch
VH01	1"	0.957	2.25	1.25	2.00	25	24,31	60	31.8	50.8	1/8	1/8
VH0C	1½"	1.500	3	1.7	2.88	40	38,10	80	43.2	73.5	1/8	1/4
VH02	2"	1.939	3.38	1.88	3.62	50	49,25	85	47.6	91.9	1/4	1/4
VH0D	2½"	2.323	4	2.5	4.12	65	59,00	100	63.5	104.6	1/4	1/4
VH03	3"	2.900	4.75	2.75	5.00	80	73,66	120	69.9	127.0	1/4	1/4
VH04	4"	3.826	6	3.5	6.19	100	97,18	150	88.9	157.2	1/4	1/4
VH06	6"	5.761	9.5	6.0	8.50	150	146,33	240	152.4	215.9	1/4	1/4

\*Other sizes, lengths and tap specifications are available.

**MODEL NUMBER CONFIGURATION VH**

Type	Size	Materials	Body Style	Bore	Fittings	Face Style
<b>VH</b>						
01	1"	<b>A</b> S316L Cone	<b>1</b> Universal Body Style*	<b>S</b> Standard	<b>N</b> NPT	<b>3</b> Serrated
0C	1½"	<b>R</b> CPVC Body	<b>X</b> Other Style	<b>X</b> Other	<b>J</b> RC	<b>2</b> O-Ring Seal
02	2"	<b>X</b> Other Mat. ‡			<b>X</b> Other	<b>X</b> Other
0D	2½"				<b>F</b> Flanged	
03	3"				(direct mount)	
04	4"		*Universal body used for ANSI 150-2500# Class, DIN 2576, 2633, 2635 and JIS 10K			
06	6"					

**NOTES**

1. Bold items in table above are standard construction.
2. Combinations of two different materials can also be specified.
3. Plastic materials limited to sizes 1" to 3". For other sizes please consult factory.
4. Direct mounting is limited to sizes 1" to 3". For other sizes please consult factory.

‡Other materials can include the following:

HASTELLOY C-276	S321H
DUPLEX 2205	INCONEL
	625
	PVC

Examples:

Model	Description
VH01-A1SN3	Wafer-Cone 1" line size, S316, ANSI Style, NPT Pressure Ports, Serrated Face
VH02-A1SF3	Wafer-Cone 2" line size, S316, ANSI Style, Transmitter Flanged For Direct mounting, Serrated Face

**ABBREVIATION**

NPT	National Pipe Taper
-----	---------------------

**Design Pressure Limits**

1500 psig: -50F to 600F
103 bar: -46C to 315C
Contact factory if other design limits are required.

Technical questions can be answered through a local representative or through our application engineers.

**MANUFACTURING STANDARDS**

Specific customer requirements can be complied with upon request.

Each meter is shipped with a centering device.

Non-destructive testing can include:

- Hydrostatic Pressure Testing
- Positive Material Inspection
- Dye Penetrant Weld Inspection ("F" Fittings Option Only)

**ACCESSORIES**

- Accessory Kit: gaskets, long bolts, and nuts
- Alternate cone for different flow range/differential.

REPRESENTED BY: