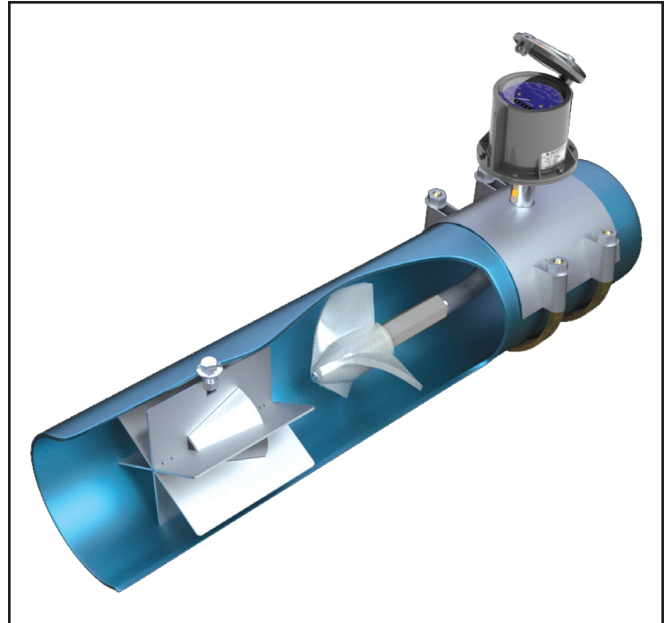


DESCRIPTION

The Mc SpaceSaver System combines our breakthrough flow straightening technology with a self-cleaning Mc Propeller meter design that virtually eliminates the upstream/downstream straight pipe runs. This advanced design delivers highly accurate liquid flow measurement in a rugged space-saving design that reduces installation costs, offers long-life and requires minimal maintenance.



INSTALLATION

For M0300F Installation: Inserted into pipeline through rectangular hole and locked in place by a single $\frac{1}{2}$ or $\frac{5}{8}$ inch bolt. The M0300F flowmeter is designed to cover the rectangular hole used to install the flow straightener.

For M0300 Installation: Inserted into pipeline through open end of pipeline and locked in place by a single $\frac{1}{2}$ or $\frac{5}{8}$ inch bolt.

SPECIFICATIONS

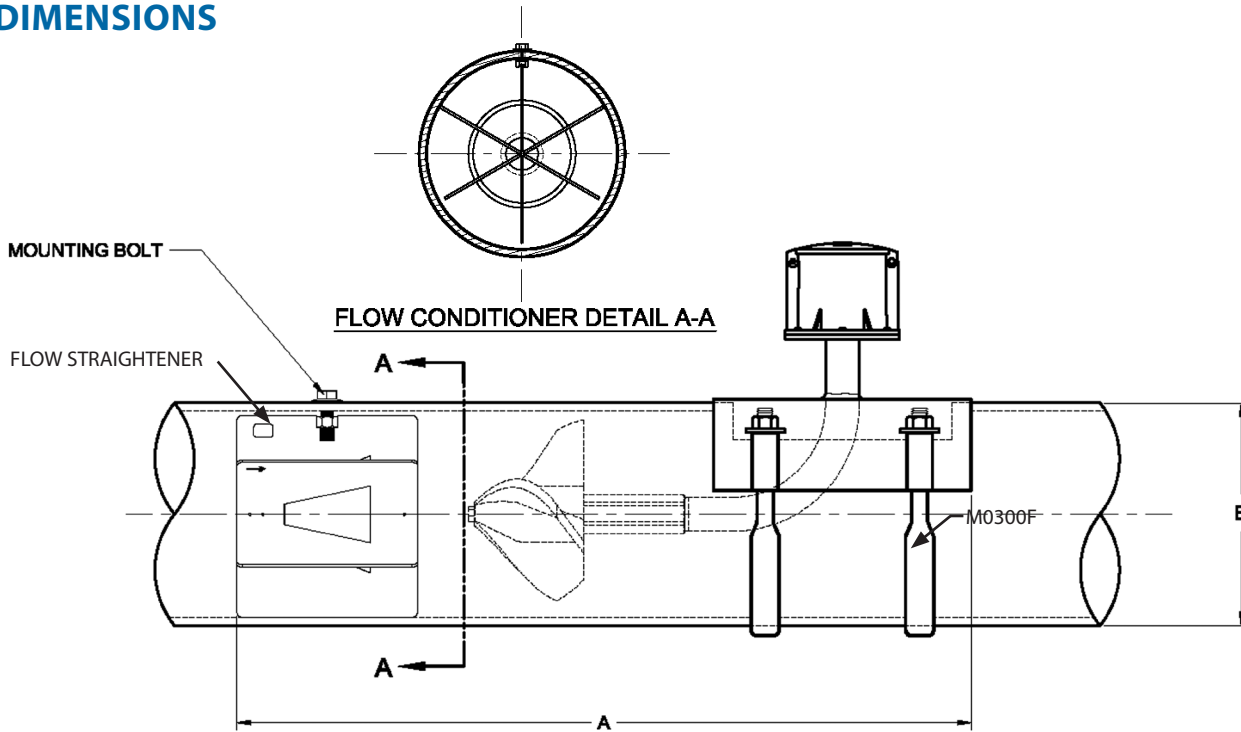
Min. Up Stream Straight Run	1.5 pipe diameters minimum (measured from propeller)
Acceptable Installation Effects	<ul style="list-style-type: none"> • Chemigation Valves • In plane elbows • Out of plane elbows • Fully Open Butterfly and Gate Valves
Sizes	6" & 8" Nominal and OD pipe
Customer Pipe wall	<ul style="list-style-type: none"> • Metal : ≥ 0.08, < 0.5 • Plastic: ≥ 0.25, < 0.5
Installation Bolt	Stainless steel bolt with dual seal
Body M0300F	Fabricated 304 stainless steel saddle with stainless steel drop pipe is supplied with: stainless steel bearing housing, stainless steel bearings, polypropylene impeller, magnetic drive, instantaneous flow indicator, straight-reading six-digit totalizer, and flat neoprene gasket.
Body FS100	304 Stainless Steel
Exterior	Glass bead blasted
Pressure Rating	150 psi max.

UPSTREAM / DOWNSTREAM REQUIREMENTS

Standard installation is horizontal mount.

Configuration	Upstream	Downstream
Without flow straightener	10	1
With flow straightener	1.5	1

DIMENSIONS



M0300F Model	Model M0300F Flow Meters							
	M0306-F	M0306-F	M0306-F	M0306-F	M0308-F	M0308-F	M0308-F	M0308-F
Flow Straightener Models	FS106-1	FS106-2	FS106-3	FS106-4	FS108-1	FS108-2	FS108-3	FS108-4
Pipe OD (B)	6.625	6.625	6.0	6.0	8.625	8.625	8.0	8.0
Wall Thickness Range	0.08-0.199	0.2-0.32	0.8-0.156	0.157-0.260	0.08-0.209	0.21-0.34	0.08-0.161	0.162-0.260
'A' with M03XXF Flow Meter	22	22	22	22	28 5/8	28 5/8	28 5/8	28 5/8
'A' with M03XX Flow Meter	26 1/4	26 1/4	26 1/4	26 1/4	31 1/8	31 1/8	31 1/8	31 1/8
Flow Straightener Shipping Weight (lbs)	3.3	3.2	3.0	2.9	5.9	5.7	5.5	5.3
M0300F Shipping Weight (lbs.)	22	22	22	22	26	26	26	26

M0300F Model	Model M0300F Flow Meters							
	M0310F	M0310F	M0310F	M0310F	M0312F	M0312F	M0312F	M0312F
Flow Straightener Models	FS210-1	FS210-2	FS210-3	FS210-4	FS212-1	FS212-2	FS212-3	FS212-4
Pipe OD (B)	10.75	10.75	10	10	12.75	12.75	12	12
Wall Thickness Range	0.080-0.289	0.290-0.500	0.060-0.159	0.160-0.260	0.080-0.289	0.290-0.500	0.060-0.159	0.160-0.260
'A' with M03XXF Flow Meter	34 1/8	34 1/8	34 1/8	34 1/8	38	38	38	38
'A' with M03XX Flow Meter	36 5/8	36 5/8	36 5/8	36 5/8	40 1/2	40 1/2	40 1/2	40 1/2
Flow Straightener Shipping Weight (lbs)	8.4	8	7.6	7.4	10.1	9.7	9.2	8.9
M0300F Shipping Weight (lbs.)	30	30	30	30	34	34	34	34