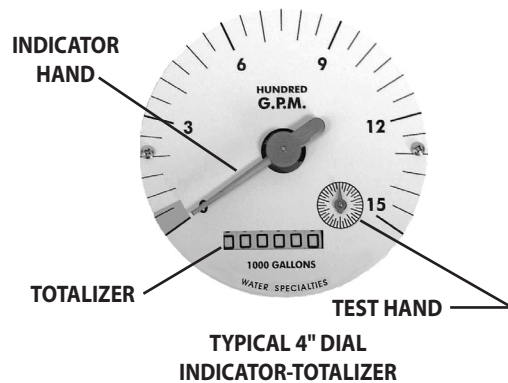


**MODEL MLI1X**

150 psi REPLACEMENT METER HEAD ASSEMBLY  
SEALED METER MECHANISM - MAGNETIC DRIVE  
INDICATOR - TOTALIZER  
SIZES 6" thru 72"

**DESCRIPTION**

**MODEL MLI1X METER HEAD ASSEMBLIES** are manufactured to the highest standards.

Materials used on all meters and flow ranges for the low velocity meter meet or exceed AWWA standard C704-02. The bolt-on design permits use in a wide range of existing applications with up to 150 psi working pressure. It is necessary, upon ordering, to furnish the I.D. dimension of the pipe the meter is to be mounted on for calibration purposes, and the saddle dimensions from the back of the data sheet. It may be necessary to modify or remove the existing straightening vanes to allow proper clearance for Water Specialties three bladed propeller (see propeller dimension on back of data sheet).

**INSTALLATION** is made by bolting the meter head assembly to the existing saddle or meter tube. The meter can be installed horizontally, or inclined on suction or discharge lines. The meter must have a full flow of liquid for proper accuracy. Fully opened gate valves, fittings, or other obstructions that tend to set up flow disturbances should be a minimum of ten pipe diameters upstream and two pipe diameters downstream from the meter. Installations with less than ten pipe diameters of straight pipe require straightening vanes. Meters with straightening vanes require at least five pipe diameters upstream and two pipe diameters downstream of the meter.

**PROPELLER** is magnetically coupled with the drive mechanism through the sealed oil filled gearbox. This completely eliminates water entering the meter assembly, as well as the need for any packing gland. The propeller is a conical shaped, three bladed propeller, injection molded of thermoplastic material resistant to normal water corrosion and deformity due to high flow velocities.

**BEARING** in propeller is a water lubricated ceramic sleeve and spindle bearing system with a ceramic/stainless steel spindle. Dual ceramic thrust bearings, standard on all meters, handle flows in both forward and reverse directions. The bearing design promotes extended periods of maintenance free propeller operation. Bearings within the sealed meter mechanism are shielded precision stainless steel bearings and are factory lubricated for the life of the meter.

**INDICATOR-TOTALIZER** is mechanically driven by the meter mechanism and features a full 4" diameter, 250 degree sweep dial with a six digit, straight reading type totalizer and sweep test hand. The indicator drive mechanism is temperature compensated so the indicator will be accurate at all points on the dial when operated between 32° and 140° F. The indicator dial can be furnished in GPM, CFS, MGD or any standard liquid measuring units with choice of standard totalizer measuring units. The bonnet, with padlock hasp, is O-ring sealed to the meter head.

**CHANGE GEARS** may be easily exchanged in the field when changing the dial, or when recalibrating for different pipe sizes. It is not necessary to remove pressure from the line for these changes.

**O-RING SEALS** are used at the meter head and all points where seals are required, making the meter mechanism completely immune to any of the corrosive effects of atmospheric moisture or the liquids measured by the meter assembly.

**SPECIFICATIONS**

**ACCURACY** Plus or minus 2% of actual flow within the range specified for each meter size.

**PRESSURE RANGE** Up to 150 PSI maximum working pressure.

**TEMPERATURE RANGE** 140° F Maximum. Consult factory for special construction for higher temperatures.

**MINIMUM FLOWS** As shown for each meter size and construction are required for accurate registration. See flow chart. NOTE: Minimum flow will be higher when auxiliary equipment is added.

**MAXIMUM FLOWS** As shown for each meter size and construction are rated for continuous operation. See flow chart.

**INTERMITTENT FLOWS** As shown for each meter size are rated for 10% to 15% of the total time the meter is operating. Consult factory for High Velocity construction when intermittent flows are higher than shown on flow chart and/or when longer operating periods are required.

**MATERIALS** Used in construction are chosen to minimize the corrosive effects of the liquids measured by the meter assembly. **MAGNETS** - anticorrosive aluminized barrier coated magnets; Everlube 6155

**INTERIOR BEARINGS** - shielded stainless steel

**PROPELLER BEARING** - ceramic sleeve type

**PROPELLER SPINDLE** - ceramic sleeve/stainless steel

**PROPELLER** - injection molded thermoplastic

**GEARBOX** - stainless steel

**SEPARATOR** - stainless steel

**SHAFTS** - stainless steel

**METER HEAD BOLTS** - stainless steel

**METER HEAD** - cast iron or fabricated steel, NSF approved fusion epoxy coated.

**OPTIONAL EQUIPMENT** Totalizer Extensions and a wide range of controls and instruments for indicating, totalizing and recording flow data for each meter. Special constructions and materials are available upon request.

**ORDERING INFO** Must be specified by the customer and includes:

Minimum and maximum flow ranges

Temperature of meter environment

Indicator scale and units

Totalizer dial units

Type of materials and construction

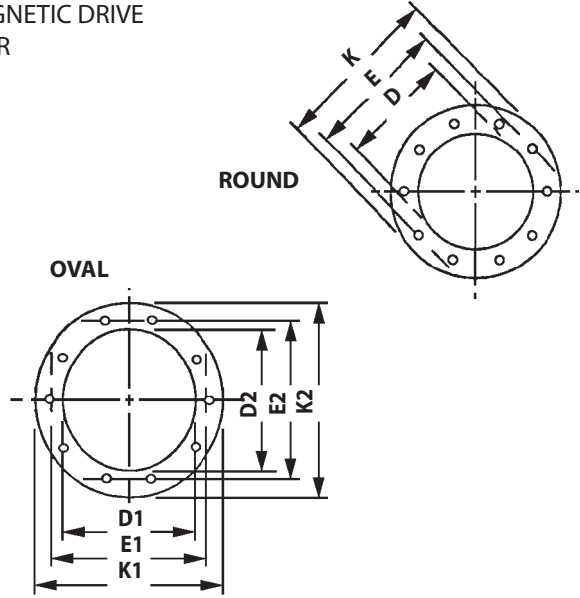
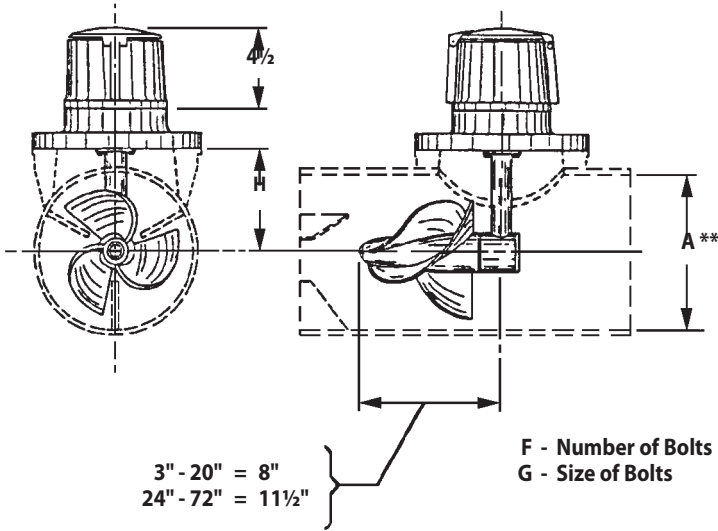
Optional equipment desired

I.D./O.D. of pipe

Saddle dimensions (from back)

**MODEL MLI1X**

150 psi REPLACEMENT METER HEAD ASSEMBLY  
 SEALED METER MECHANISM - MAGNETIC DRIVE  
 INDICATOR - TOTALIZER  
 SIZES 6" thru 72"



**NOTE:** Existing straightening vanes may require modification or removal to allow proper clearance for Water Specialties three bladed propeller (see propeller dimension).

\*\* PLEASE SPECIFY PIPE I.D. AND O.D.

| METER & PIPE SIZE | FLOW RANGES, GPM                         |  | DIMENSIONS (Customer Supplied Data) |           |           |   |   |   |   | EST SHIPPING WEIGHT POUNDS |
|-------------------|--|--|-------------------------------------|-----------|-----------|---|---|---|---|----------------------------|
|                   | STANDARD CONSTRUCTION MIN. - MAX. - INT. | HIGH VELOCITY CONSTRUCTION MIN. - MAX. | A                                   | (D1,D2) D | (E1,E2) E | F | G | H | K |                            |
| 6                 | 120-1200-1500                            | 300-1500                               |                                     |           |           |   |   |   |   | 35                         |
| 8                 | 150-1500-2000                            | 400-2500                               |                                     |           |           |   |   |   |   | 35                         |
| 10                | 180-2000-3000                            | 500-3500                               |                                     |           |           |   |   |   |   | 45                         |
| 12                | 200-3000-3500                            | 800-5000                               |                                     |           |           |   |   |   |   | 50                         |
| 14                | 300-4000-4500                            | 1000-600                               |                                     |           |           |   |   |   |   | 55                         |
| 16                | 400-5000-6000                            | 1200-7500                              |                                     |           |           |   |   |   |   | 55                         |
| 18                | 700-6000-7500                            | 1500-9000                              |                                     |           |           |   |   |   |   | 55                         |
| 20                | 850-8000-9000                            | 2000-12000                             |                                     |           |           |   |   |   |   | 55                         |
| 24                | 1000-10000-13500                         | 3000-15000                             |                                     |           |           |   |   |   |   | 190                        |
| 30                | 1800-15000-21000                         | 4000-25000                             |                                     |           |           |   |   |   |   | 190                        |
| 36                | 2000-20000-30000                         | 5000-35000                             |                                     |           |           |   |   |   |   | 190                        |
| 42                | 3000-30000-40000                         | 6000-50000                             |                                     |           |           |   |   |   |   | 365                        |
| 48                | 5500-35000-50000                         | 7000-60000                             |                                     |           |           |   |   |   |   | 365                        |
| 54                | 6500-45000-55000                         | 8000-65000                             |                                     |           |           |   |   |   |   | 365                        |
| 60                | 7500-60000-80000                         | 10000-90000                            |                                     |           |           |   |   |   |   | 365                        |
| 66                | 8500-75000-95000                         | 12000-105000                           |                                     |           |           |   |   |   |   | 365                        |
| 72                | 9500-90000-115000                        | 15000-125000                           |                                     |           |           |   |   |   |   | 365                        |

Standard construction will be supplied for all main line meters unless special flow range, materials, or construction are required.



www.mccrometer.com

3255 WEST STETSON AVENUE • HEMET, CALIFORNIA 92545 USA  
 TEL: 951-652-6811 • FAX: 951-652-3078

Copyright © 2002-2019 McCrometer. All printed material should not be changed or altered without permission of McCrometer. The published technical data and instructions are subject to change without notice. Contact your McCrometer representative for current technical data and instructions.