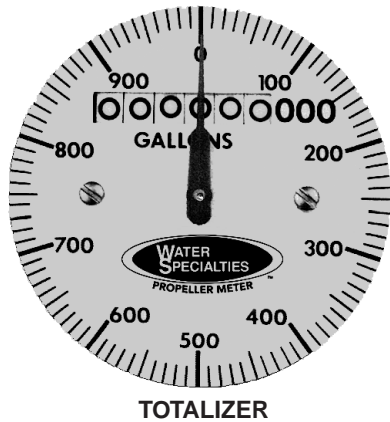




MODEL VF29
 VERTICAL UPFLOW TEE TUBE METER
 SEALED METER MECHANISM - MAGNETIC DRIVE
 SEALED TOTALIZER
 SIZES 4" thru 20"



DESCRIPTION

MODEL VF29 VERTICAL UPFLOW TEE TUBE METERS are designed to meet AWWA specifications. The flanged end tee design permits use in a wide range of applications with up to 150 psi working pressure. The base and side outlets are 150 lb. AWWA class "D" flat face steel flanges. Fabricated steel meter tubes have straightening vanes and are protected internally and externally with 12-15 mils of NSF approved, fusion epoxy resin.

INSTALLATION is made to any vertical discharge line with the proper size flange connection or to vertical discharge concrete turnouts with the proper anchor bolts. The meter must be installed upright for a full flow of liquid through the pipe to assure proper accuracy. Fully opened gate valves, fittings or other obstructions that tend to set up flow disturbances should be a minimum of five pipe diameters upstream and two pipe diameters downstream from the meter.

PROPELLER is magnetically coupled with the drive mechanism through the sealed separator assembly. This completely eliminates water entering the meter assembly, as well as the need for any packing gland. The propeller is a conical shaped three bladed propeller, injection molded of thermoplastic material resistant to normal water corrosion and deformity due to high flow velocities.

BEARING in propeller is a water lubricated ceramic sleeve and spindle bearing system with a ceramic/stainless steel spindle. Dual ceramic thrust bearings, standard on all meters, handle flows in both forward and reverse directions. The bearing design promotes extended periods of maintenance free propeller operation. Bearings within the sealed meter mechanism are shielded precision stainless steel bearings and are factory lubricated for the life of the meter.

TOTALIZER is o-ring sealed and magnetically coupled with the driving mechanism, and features a six digit totalizer with a full 3" diameter, 100 division, center sweep dial that permits extremely accurate readings for timing purposes in determining flow rates. The totalizer dial can be furnished in gallons, cubic feet, acre feet or any standard liquid measuring units. The bonnet, with padlock hasp, can be positioned in four different directions for the easiest possible reading when the meters are mounted in unusual positions.

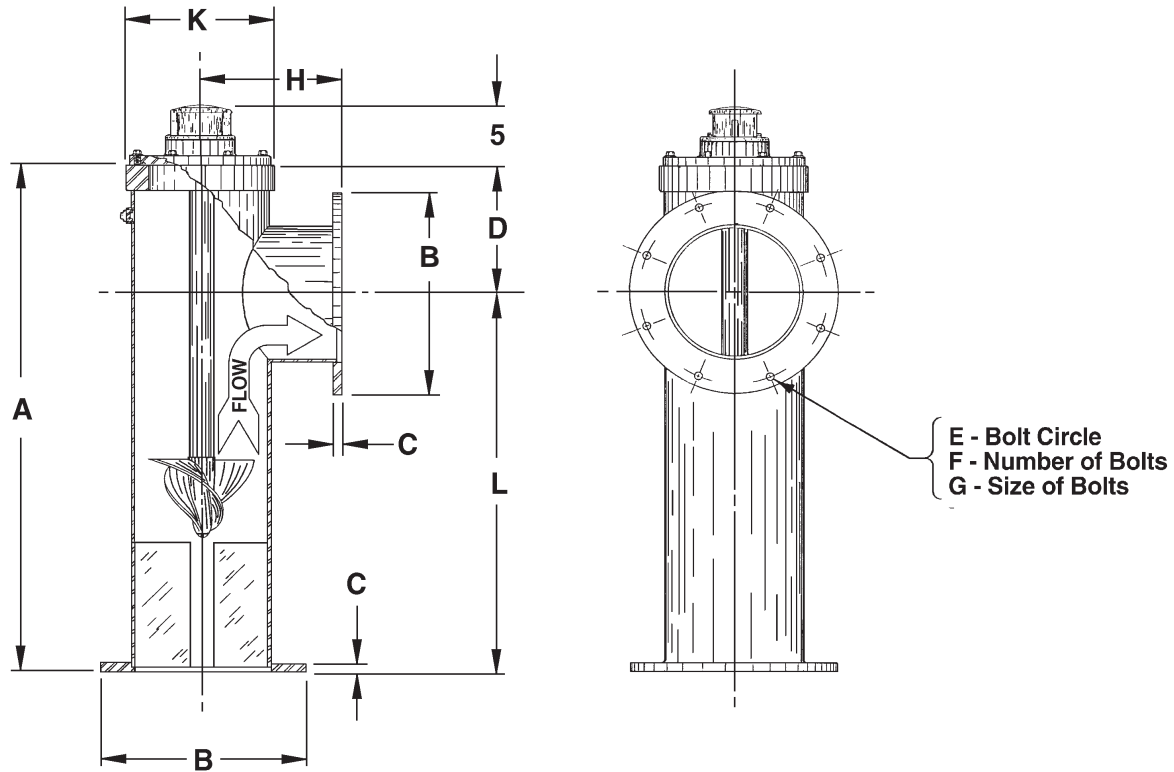
CHANGE GEARS may be easily exchanged in the field when changing the dial, or when recalibrating for different pipe sizes. It is not necessary to remove pressure from the line for these changes.

O-RING SEALS are used at the meter head and all points where seals are required, making the meter mechanism completely immune to any of the corrosive effects of atmospheric moisture or the liquids measured by the meter assembly.

SPECIFICATIONS

- ACCURACY** Plus or minus 2% of actual flow within the range specified for each meter size.
- PRESSURE RANGE** Up to 150 PSI maximum working pressure.
- TEMPERATURE RANGE** 140° F Maximum. Consult factory for special construction for higher temperatures.
- MINIMUM FLOWS** As shown for each meter size and construction are required for accurate registration. See flow chart. NOTE: Minimum flow will be higher when auxiliary equipment is added.
- MAXIMUM FLOWS** As shown for each meter size and construction are rated for continuous operation. See flow chart.
- INTERMITTENT FLOWS** as shown for each meter size are rated for 10% to 15% of the total time the meter is operating. Consult factory for High Velocity construction when intermittent flows are higher than shown on flow chart and/or when longer operating periods are required.
- MATERIALS** used in construction are chosen to minimize the corrosive effects of the liquids measured by the meter assembly.
MAGNETS - anticorrosive aluminized barrier coated magnets; Everlube 6155
INTERIOR BEARINGS - shielded stainless steel
PROPELLER BEARING - ceramic sleeve type
PROPELLER SPINDLE - ceramic coated stainless steel
PROPELLER - injection molded thermoplastic
DROP-PIPE - stainless steel
SEPARATOR - stainless steel
SHAFTS AND BOLTS - stainless steel
METER HEAD - cast iron, NSF approved, fusion epoxy coated.
METER TUBE - fabricated steel with 12-15 mils of NSF approved, fusion epoxy resin.
- OPTIONAL EQUIPMENT** A meter mounted Fwd. & Rev. Totalizer, Totalizer Extensions and a wide range of controls and instruments for indicating, totalizing and recording flow data for each meter. Special constructions and materials are available upon request.
- ORDERING INFO** Must be specified by the customer and includes:
 Minimum & maximum flow ranges
 Temperature of meter environment
 Totalizer dial units
 Type of materials and construction
 Optional equipment desired

MODEL VF29
 VERTICAL UPFLOW TEE TUBE METER
 SEALED METER MECHANISM - MAGNETIC DRIVE
 SEALED TOTALIZER
 SIZES 4" thru 20"



METER & PIPE SIZE	FLOW RANGES, GPM			STANDARD DIAL FACE (GPM/GAL)	DIMENSIONS										EST SHIPPING WEIGHT POUNDS
	MIN.	MAX.	INT.		A	B	C	D	E	F	G	H	K	L	
4	55	500	700	500/100	18	9	5/8	4 1/2	7 1/2	8	5/8	5	6	13 1/2	180
6	130	1200	1500	1200/1000	40	11	11/16	10	9 1/2	8	3/4	9	11	30	190
8	170	1500	2000	1500/1000	40	13 1/2	11/16	10	11 3/4	8	3/4	10	11	30	240
10	200	2000	3000	2000/1000	40	16	11/16	10	14 1/4	12	7/8	11	11	30	330
12	220	3000	3500	3000/1000	40	19	13/16	10	17	12	7/8	12	11	30	440
14	320	4000	4500	4000/1000	40	21	15/16	10	18 3/4	12	1	14	11	36	520
16	420	5000	6000	5000/1000	54	23 1/2	1	11 1/2	21 1/4	16	1	15	11	42 1/2	620
18	720	6000	7500	6000/1000	60	25	11/16	12	22 3/4	16	1 1/8	18	11	48	720
20	870	8000	9000	8000/10000	66	27 1/2	1 1/8	14	25	20	1 1/8	20	11	52	820