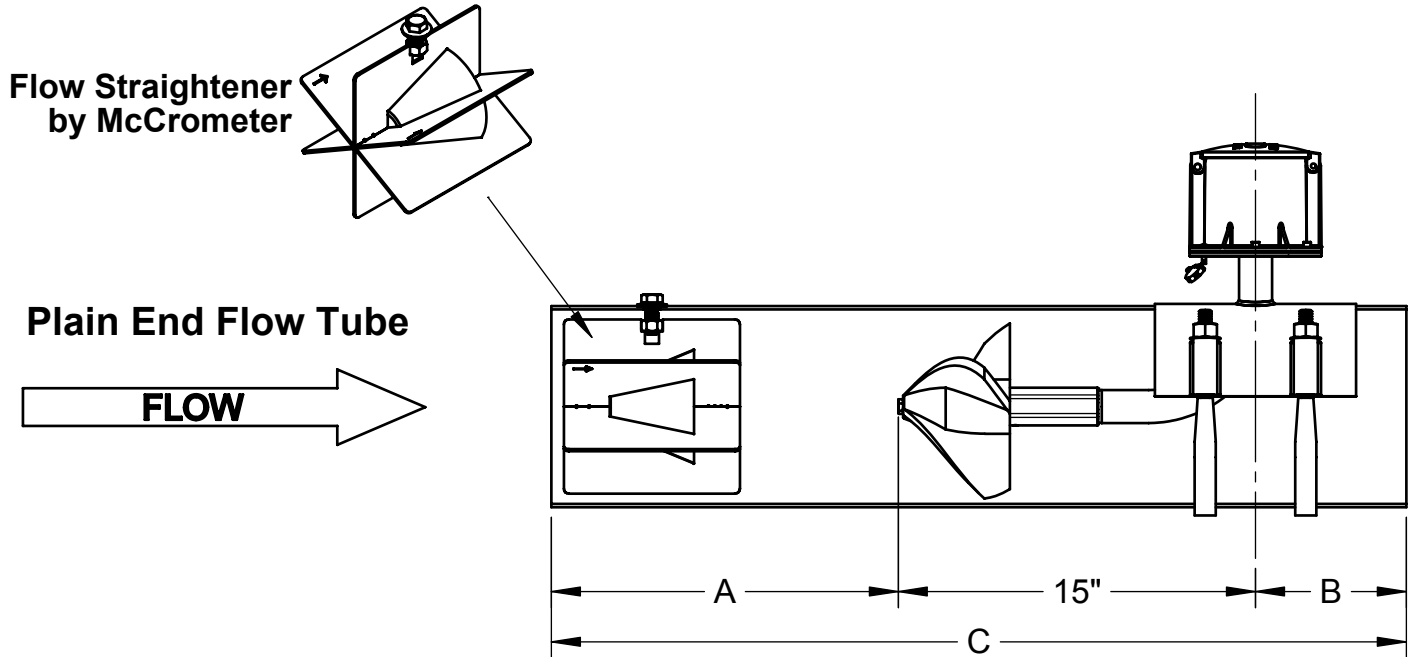


# Flow Tubes with Flow Straightener in Forward Configuration



## Meter Tube Features

- Steel couplers can be welded to these tubes.
- Steel tubes are epoxy coated 10 Gauge.
- Tubes include total required lengths.
- Tubes can be fastened directly to check valves.
- Tubes can be Aluminum w/ couplers, flanges, or rolled ends.

Pipe Size	A	B	C
6	9	6	30
8	12	7	34
10	15	10	40
12	18	13	46

All dimensions are in inches

