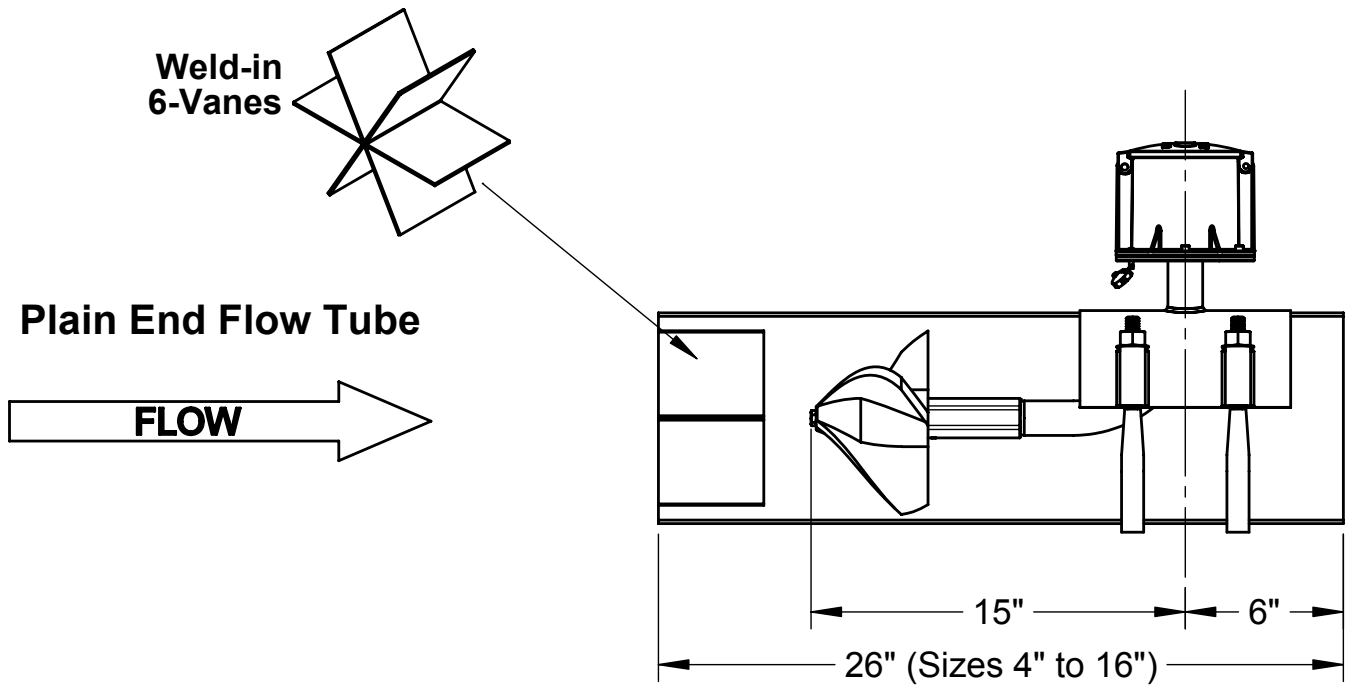


# 26" Steel Flow Tube in Forward Configuration



### Notes!

- Steel couplers can be welded to these tubes.
- Steel tubes are epoxy coated 10 Gauge.

