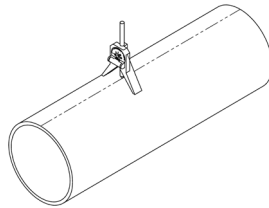


## Installation for MF100 / MG100 / ML100 / M0300 Flow Meters

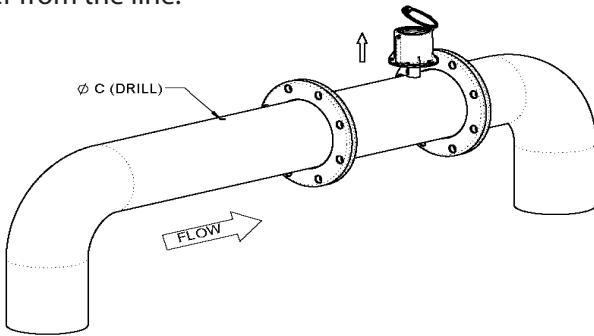
1. Relieve the pressure and drain the line prior to installation. Determine the location of the flow straightener on the outside of the pipe. The distance (A) between the bolt hole and the centerline of the ell is indicated on the table below. The centerline of the flow straightener must be parallel to the centerline of the pipe.

METER SIZE	A	B	C
6"	20 5/8	2 5/8	17/32
8"	22 3/4	3 1/2	17/32
10"	24 7/8	4 3/8	21/32
12"	27	5 1/4	21/32

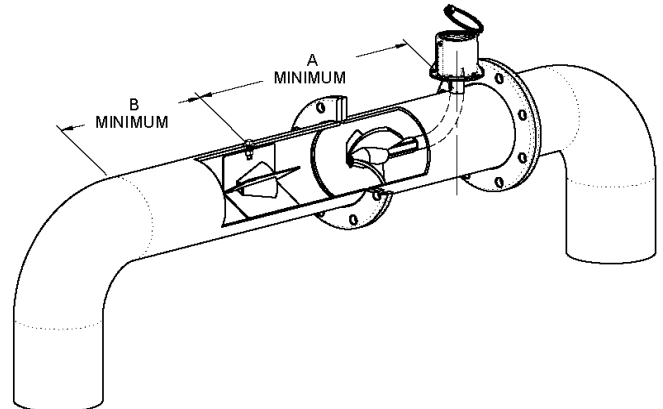
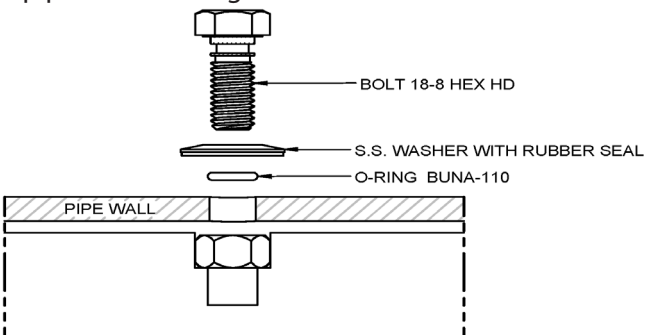
2. Establish the centerline of the pipe by a centering tool. Mark the pipe for the bolt location (see B dimension in the table above).



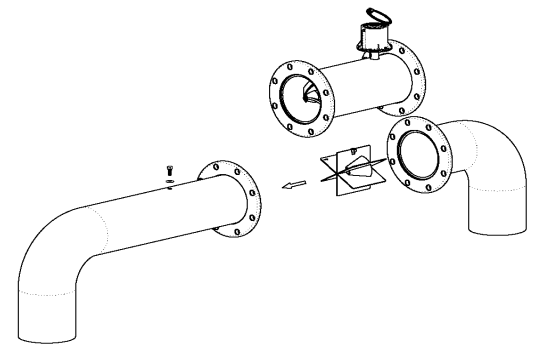
3. Drill a hole (see C dimension in the table). Remove the meter from the line.



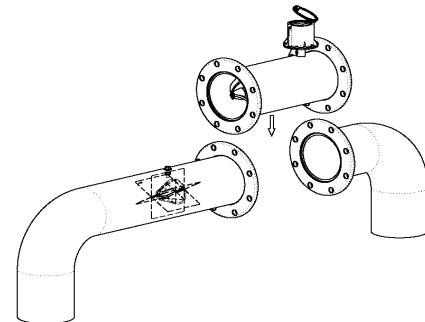
5. Secure the flow straightener with the bolt, washer and O-ring supplied with the flow straightener. Place sealing rubber washer and the O-ring under bolt against the outside of the pipe. Secure the bolt to hold the flow straightener to the pipe. Apply Loctite® anti-seize C5-A, or other appropriate lubricant, to the bolt prior to installation to ensure the bolt and nut do not seize up prior to creating an effective seal.



4. Insert the flow straightener into the pipe.



6. Reinstall the meter.



**NOTE:** It is advised the installer not use air guns or impact wrenches to tighten the bolt as it may damage the flowstraightener.

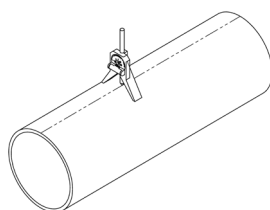
## Installation for M0300 / M0300F Flow Meter

See the template supplied with the M0300F for flowmeter installation instructions.

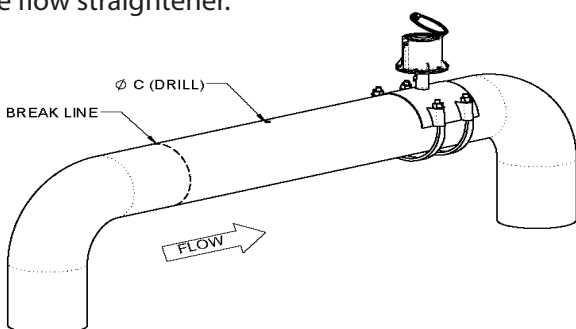
1. Relieve the pressure and drain the line prior to installation. Determine the location of the flow straightener on the outside of the pipe. The distance (A) between the bolt hole and the centerline of the ell is indicated on the table below. The centerline of the flow straightener must be parallel to the centerline of the pipe.

METER SIZE	A	B	C
6"	20 5/8	2 5/8	17/32
8"	22 3/4	3 1/2	17/32
10"	24 7/8	4 3/8	21/32
12"	27	5 1/4	21/32

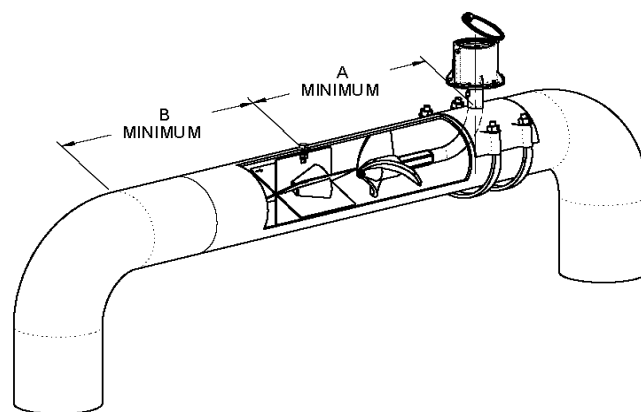
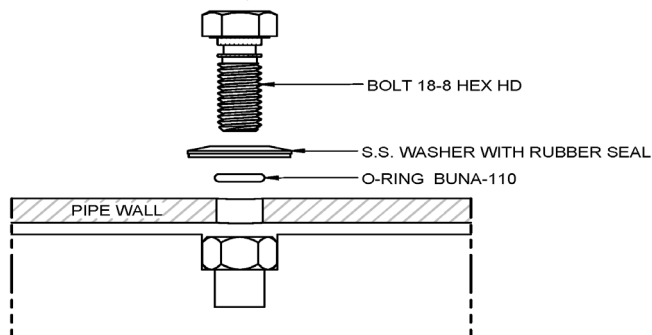
2. Establish the centerline of the pipe by a centering tool. Mark the pipe for the bolt location (see B dimension in the table above).



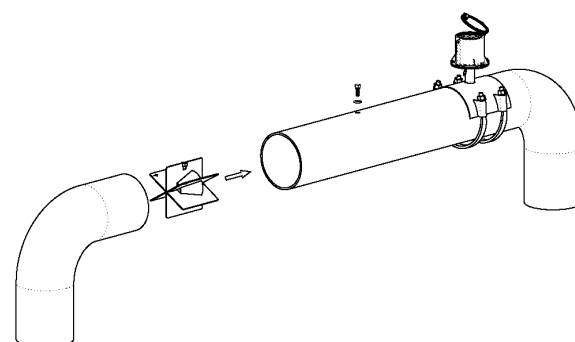
3. Drill a hole (see C dimension in the table). Break line at a flange or cut pipe in a portion near the installation location of the flow straightener.



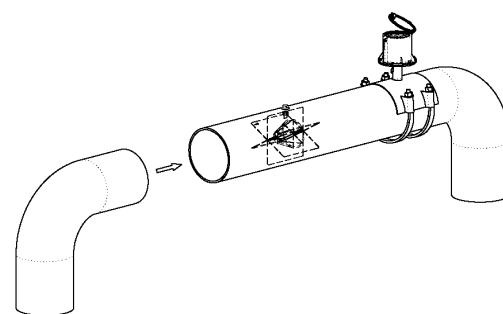
5. Secure the flow straightener with the bolt, washer and O-ring supplied with the flow straightener. Place sealing rubber washer and the o-ring under bolt against the outside of the pipe. Secure the bolt to hold the flow straightener to the pipe. Apply Loctite® anti-seize C5-A, or other appropriate lubricant, to the bolt prior to installation to ensure the bolt and nut do not seize up prior to creating an effective seal.



4. Insert the flow straightener into the pipe.



6. Close the line at the flange or repair the break.



**NOTE:** It is advised the installer not use air guns or impact wrenches to tighten the bolt as it may damage the flow straightener.