



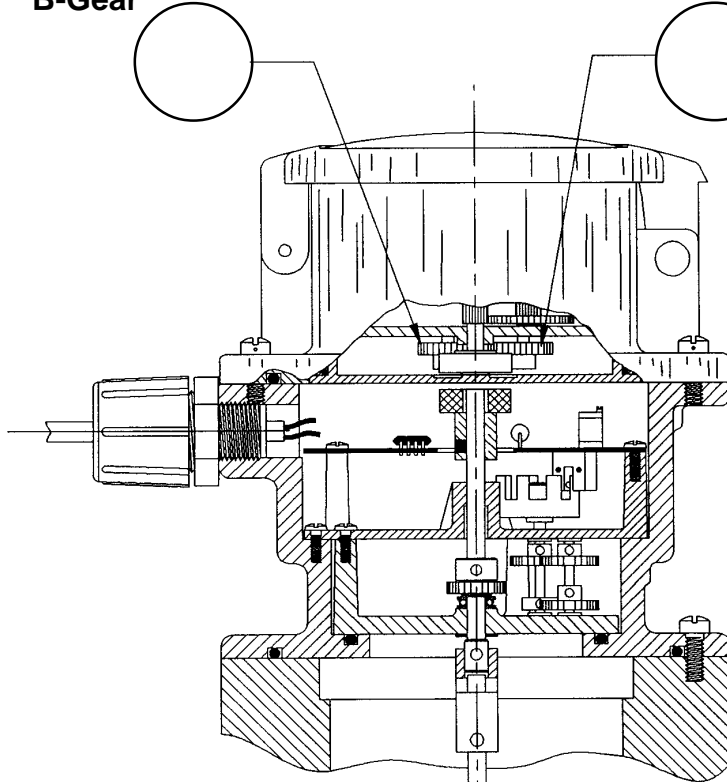
**RE-GEAR CHART FOR METERS WITH  
TOTALIZER ASSEMBLIES AND  
TRANSMITTER MODELS  
TR15, TR01-1, TR01-30 AND TR01-1-150**

**B-Gear**

**A-Gear**

DATE \_\_\_\_\_

S/N \_\_\_\_\_



**Transmitter Gear  
Train Assembly**

