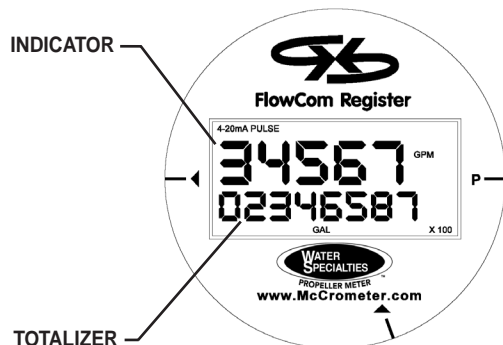




MODEL VF32-D
 VERTICAL DOWNFLOW METER
 SOLID STATE ELECTRONIC PROPELLER METER
 DIGITAL INDICATOR - TOTALIZER
 SIZES 4" thru 20"



TYPICAL
 DIGITAL INDICATOR-TOTALIZER



DESCRIPTION

MODEL VF32 D VERTICAL DOWNFLOW METERS are designed for mounting in tees with up to 150 PSI working pressure. The bolt-on design permits use in a wide range of applications with up to 150 psi working pressure. The mounting flange conforms to ANSI class 125 drilling. It is necessary, upon ordering, to furnish the I.D. dimension of the pipe the meter is to be mounted on for calibration purposes.

INSTALLATION is made by bolting the meter assembly to an appropriate cast iron or fabricated steel tee. These tees usually replace an elbow in existing systems such as on the suction or discharge side of a centrifugal pump of laterals in irrigation systems. The meter must have a full flow of liquid for proper accuracy. Fully opened gate valves, fittings or other obstructions that tend to set up flow disturbances should be a minimum of five pipe diameters upstream and two pipe diameters downstream from the meter. An optional kit of adapters with up to 100 feet of cable is available to locate the indicator-totalizer at remote locations.

PROPELLER is magnetically coupled with electronic sensor through the sealed separator assembly. This completely eliminates water entering the meter assembly, and eliminates all moving parts except for the propeller. The propeller is a conical shaped three bladed propeller, injection molded of thermoplastic material resistant to normal water corrosion and deformity due to high flow velocities.

BEARING in propeller is a water lubricated ceramic sleeve and spindle bearing with a ceramic/stainless steel spindle. Dual ceramic thrust bearings, standard on all meters, handle flows in both forward and reverse directions. The bearing design promotes extended periods of maintenance free propeller operation.

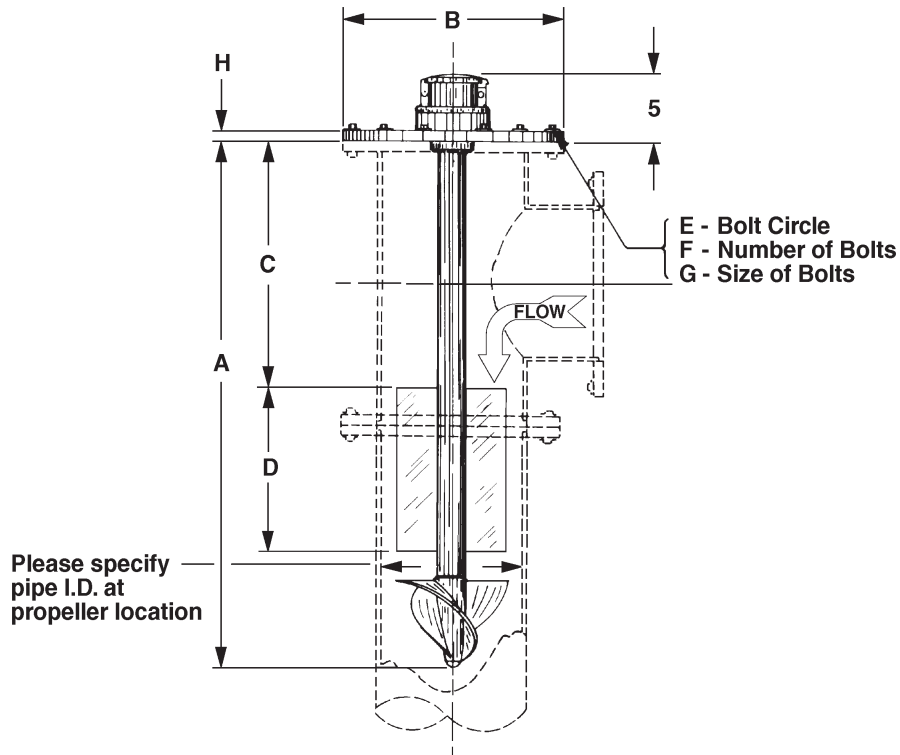
DIGITAL INDICATOR-TOTALIZER has a non-volatile EEPROM memory to store totalizer count (updated hourly while running). Features a large two line display. Five digit top line indicates flow rate, and eight digit bottom line provides volumetric flow data. Indicator is available in 22 different units, including GPM, CFS, MGD. Totalizer is available in 20 different units, including Gallons, AF, CF. Units of measurement are user-selectable. Battery life is 6 -10 years. Housing is NEMA 4X rated.

Available with optional 4-20mA and/or pulse output.

SPECIFICATIONS

ACCURACY	Plus or minus 2% of actual flow within the range specified for each meter size.
PRESSURE RANGE	Up to 150 PSI maximum working pressure.
TEMPERATURE RANGE	140° F Maximum. Consult factory for special construction for higher temperatures.
MINIMUM FLOWS	As shown for each meter size and construction are required for accurate registration. See flow chart. NOTE: Minimum flow will be higher when auxiliary equipment is added.
MAXIMUM FLOWS	As shown for each meter size and construction are rated for continuous operation. See flow chart.
INTERMITTENT FLOWS	As shown for each meter size are rated for 10% to 15% of the total time the meter is operating. Consult factory for High Velocity construction when intermittent flows are higher than shown on flow chart and/or when longer operating periods are required.
MATERIALS	Used in construction are chosen to minimize the corrosive effects of the liquids measured by the meter assembly. MAGNETS – anticorrosive aluminized barrier coated magnets; Everlube 6155 PROPELLER BEARING - ceramic sleeve type PROPELLER SPINDLE - ceramic coated stainless steel PROPELLER - injection molded thermoplastic DROP-PIPE - stainless steel SEPARATOR - stainless steel SHAFTS AND BOLTS - stainless steel METER HEAD - cast iron or fabricated steel, NSF approved, fusion epoxy coated.
OPTIONAL EQUIPMENT	Remote mounting kit, with up to 100 feet of cable, and a wide range of controls and instruments for indicating, totalizing, and recording flow data for each meter. Special constructions and materials are available upon request.
ORDERING INFO	Must be specified by the customer and includes: minimum and maximum flow ranges, temperature of meter environment, indicator scale and units, totalizer dial units, type of materials and construction, I.D. of pipe, and optional equipment desired.

MODEL VF32-D
 VERTICAL DOWNFLOW METER
 SOLID STATE ELECTRONIC PROPELLER METER
 DIGITAL INDICATOR - TOTALIZER
 SIZES 4" thru 20"



METER & PIPE SIZE	FLOW RANGES, GPM			STANDARD DIAL FACE (GPM/GAL)	DIMENSIONS								EST SHIPPING WEIGHT POUNDS
	MIN.	MAX.	INT.		A	B	C	D	E	F	G	H	
4	55	500	700	500/100	34	9	13 ³ / ₈	12	7 ¹ / ₂	8	5/8	5/8	70
6	130	1200	1500	1200/1000	36 ¹ / ₂	11	16	12	9 ¹ / ₂	8	3/4	11/16	90
8	170	1500	2000	1500/1000	40 ¹ / ₂	13 ¹ / ₂	20	12	11 ³ / ₄	8	3/4	11/16	120
10	200	2000	3000	2000/1000	44	16	26 ¹ / ₂	12	14 ¹ / ₄	12	7/8	11/16	135
12	220	3000	3500	3000/1000	48	19	27 ¹ / ₂	12	17	12	7/8	13/16	215
14	320	4000	4500	4000/1000	54	21	31 ¹ / ₂	14	18 ³ / ₄	12	1	15/16	250
16	420	5000	6000	5000/1000	60	23 ¹ / ₂	35 ¹ / ₂	16	21 ¹ / ₄	16	1	1	280
18	720	6000	7500	6000/1000	66	25	39 ¹ / ₂	18	22 ¹ / ₄	16	1 ¹ / ₈	11/16	310
20	870	8000	9000	8000/10000	72	27 ¹ / ₂	43 ¹ / ₂	20	25	20	1 ¹ / ₈	1 ¹ / ₈	390



www.mccrometer.com

3255 WEST STETSON AVENUE • HEMET, CALIFORNIA 92545 USA
 TEL: 951-652-6811 • FAX: 951-652-3078

Copyright © 2019 McCrometer. All printed material should not be changed or altered without permission of McCrometer. The published technical data and instructions are subject to change without notice. Contact your McCrometer representative for current technical data and instructions.