



Flow Metering for HVAC

Insertion and full-bore mag meters for HVAC hot water and cooling water, differential pressure meters for hot water, steam, and gas.



Install a metering point for the life of your facility.

You can't manage what you don't measure. Invest in a flow meter that provides you with the flow data you need to make informed decisions about daily operations. McCrometer's Full Profile Insertion Mag Plus (FPI Mag[®] Plus) is **perfect for retrofits using hot-tap installation without shutting down your process**. Our Vera Mag[™] comes in standard ISO lay-lengths, but can be made with custom lay lengths to accommodate upgrading older meters, offering the ultimate flexibility. Our differential pressure V-Cone[®] requires minimal-to-no upstream and downstream straight runs to better fit your campus steam or hot water applications. The Wafer-Cone[®], the flangeless version of the V-Cone, has interchangeable cones for dynamic hot water and steam flows.

Talk about versatility!

We recommend watching our YouTube videos to become more informed about installation and meter functionality. You may download each product's specification sheets and manuals from our website to understand more of the technical details. The flow professionals at the factory are always available to answer questions and provide a quote when you're ready to start your next flow project.



www.youtube.com/mccrometer



www.mccrometer.com/ind



quotes@mccrometer.com

FPI Mag[®] Plus

Proprietary installation tool ensures straight and accurate insertion even against system pressure.

Up to $\pm 0.5\%$ **accuracy** and 4" to 138" line sizes available.

Ball valve to allow **ease of insertion** and removal via hot tap connection.

Stainless steel or hastelloy electrodes best suited for conductivity in **tough water applications**.

High-temperature (200°F) fusion-bonded epoxy coating impervious to chemicals in chill water.

Modbus, 4-20mA, pulse, Sensus, Itron, Ethernet IP, and telemetry outputs available and **NSF-61 certified** for drinking water applications.

An FPI Mag installed by a McCrometer technician.



www.mccrometer.com/ind

Vera Mag[™]



The Vera Mag's unique **NSF-approved UltraLiner[™]** eliminates problems with delamination and is ideal for tight applications on either side of pumps. An ideal alternative to traditional rubber liners, the UltraLiner is durable and impervious to harsh chemicals and debris in flow media.



Offered in standard ISO lay lengths of 1.5" - 24", the Vera Mag can also be customized to retrofit and replace **non-standard lay length** meters, eliminating the need for additional spool pieces or welding.



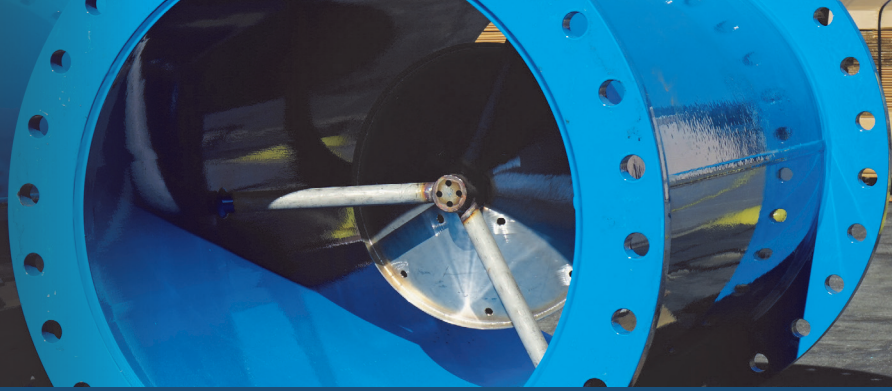
Modbus, 4-20mA, and pulse outputs are available, and the Vera Mag maintains up to $\pm 0.2\%$ **accuracy** with minimal straight runs needed. Hart, Ethernet IP, and BacNet coming soon!



The Vera Mag offers both stainless steel and hastelloy electrodes best suited for **a variety of high temperature (up to 200°F) flow media**, and is available for use with AC power, DC power, battery only, or solar power.

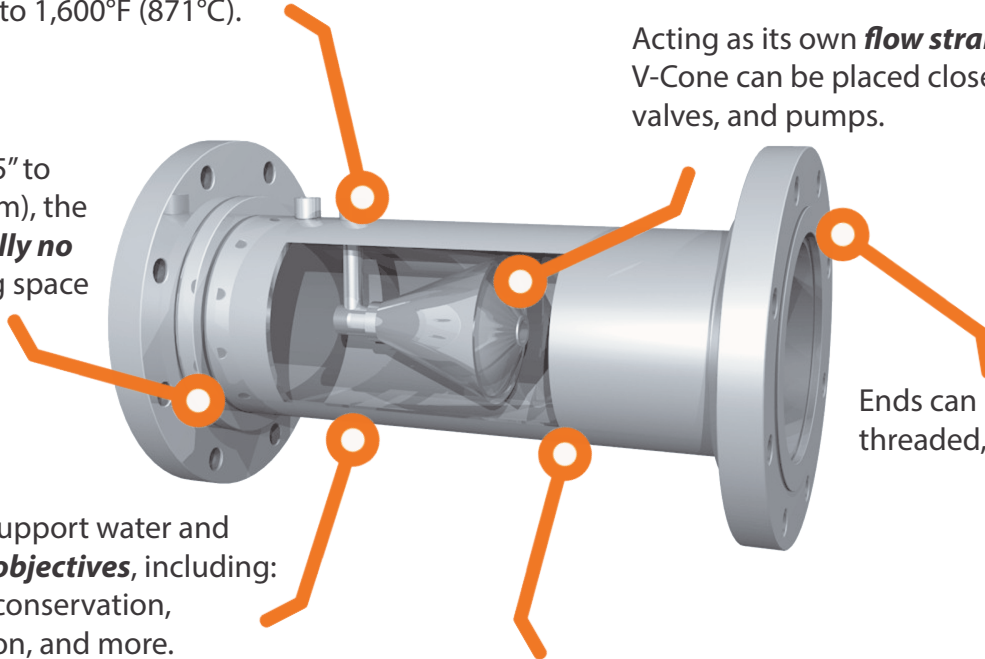


The V-Cone



Great for hot water, gas, and steam measurements, offering up to **±0.5% accuracy**, pressure up to 20,000 psi, and temperature up to 1,600°F (871°C).

Available in line size 0.5" to 120" (12.7mm - 3048mm), the V-Cone requires **virtually no straight-run**, providing space and budget savings.



Acting as its own **flow straightener**, the V-Cone can be placed close to elbows, valves, and pumps.

Ends can be flanged, threaded, hub, or **weld end**.

McCrometer meters support water and steam **management objectives**, including: billing & accounting, conservation, regulations & allocation, and more.

Custom built from material of choice including but not limited to: 304SS, 316 SS, Duplex 2205, Hastelloy C-276 and more.



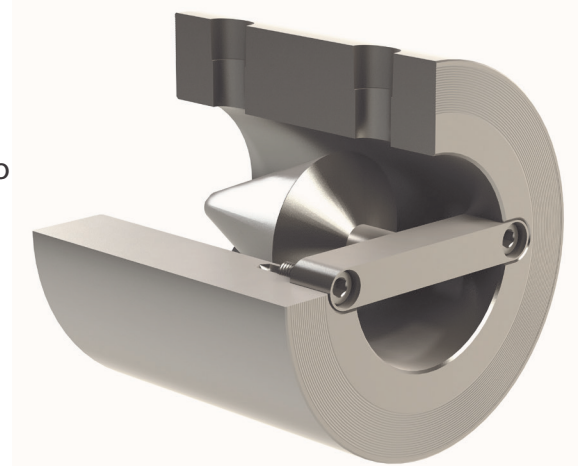
Built from 304 or 316 stainless steel, the Wafer-Cone maintains up to **±1% accuracy** with 1-3 diameters upstream and 1 downstream straight run required.



The Wafer-Cone provides similar properties as the V-Cone in a wafer style for smaller lines sizes with a **replaceable cone** to change your Beta ratio when flow conditions change.



Offered in line sizes 1" - 6" (25.4mm - 152.4mm), the Wafer-Cone combines exceptional flexibility with **high performance** - all in one small, space-saving flow measurement unit.



www.mccrometer.com/ind

Product Compatibility

	V-Cone®	Wafer-Cone®	FPI Mag® Plus	Vera Mag™
Air/Exhaust Flow	X	X		
Chemical Flow	X	X	X	X
Chill Water			X	X
Hot Water			X	X
HVAC Cooling Tower			X	X
Natural Gas	X	X		
Process BTU	X	X	X	X
Steam	X	X		
Steam Condensate	X	X		



Flow Metering for HVAC

Insertion and full-bore mag meters for HVAC, differential pressure meters for hot water, steam, and gas.

