

MODEL VW_(L)

ANSI B16.5 Weld Neck, Raised Face Flanges - Class 150 or 300

DESCRIPTION AND GENERAL PERFORMANCE SPECIFICATIONS

The V-Cone® flowmeter is a patented, differential pressure type flow measurement device. A cone is positioned in the center of the pipe to increase the velocity of the flowing fluid and create a differential pressure. This pressure difference can be measured and used to accurately interpret flowrate. Two taps are provided on every V-Cone to allow sensing of the high and low pressures. A typical V-Cone application can follow these general performance specifications:

- Accuracy: up to ±0.5% of rate
- Repeatability: ±0.1%
- Turndown: 10:1
- Standard Betas: 0.45 through 0.85
- Headloss: Percentage of differential pressure produced varies with beta ratio.
- Installation: Typically 0-3 diameters upstream and 0-1 diameters downstream.

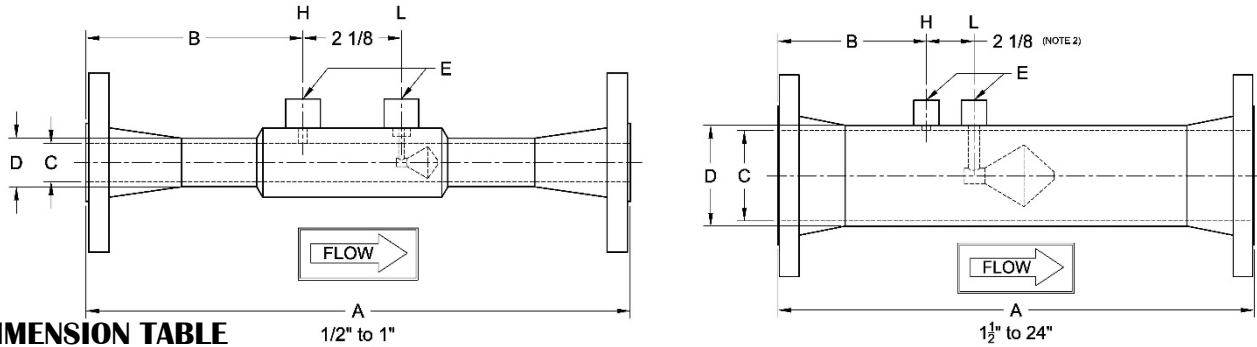
Model VW Bulletins
ANSI B16.5 Weld Neck, RF Flanges
24509-35 Class 150 or 300
24509-36 Class 600 or 900
24509-37 Class 125 or 250



The V-Cone is manufactured under a quality management system that is certified to ISO 9001:2015.

* Each V-Cone is sized for the intended application. Specific performance ratings must be obtained through the sizing process.

MODEL VW_(L) DIMENSIONS



Size	ANSI B16.5 Class 150				ANSI B16.5 Class 300				Stainless		Carbon		D		E (Note 2)
	A (Note 1)		B		A (Note 1)		B		C (Note 2)		C (Note 2)				
inch	inch	mm	inch	mm	inch	mm	inch	mm	inch	mm	inch	mm	inch	mm	NPT
1/2	11.38	289.1	4.63	118	11.75	298.5	4.82	122	0.622	15.8	-	-	0.84	21.3	1/4
3/4	11.75	298.5	4.81	122	12.13	308.1	5.00	127	0.824	20.9	-	-	1.05	26.7	1/4
1	12.00	304.8	4.94	125	12.50	317.5	5.19	132	1.049	26.64	-	-	1.31	33.4	1/4
1 1/2	14.38	365.3	5.19	132	14.88	378.0	5.44	138	1.645	41.78	-	-	1.9	48.3	1/4
2	16.38	416.1	5.69	145	16.88	428.8	5.94	151	2.104	53.44	-	-	2.37	60.3	1/2
2 1/2	16.75	425.5	5.88	149	17.25	438.2	6.13	156	2.504	63.60	-	-	2.87	73.0	1/2
3	18.75	476.3	5.88	149	19.50	495.3	6.25	159	3.104	78.84	-	-	3.5	88.9	1/2
4	21.25	539.8	6.63	168	22.00	558.8	7.00	178	4.090	103.8	-	-	4.5	114	1/2
6	28.25	717.6	7.38	187	29.00	736.6	7.75	197	6.065	154.1	6.065	154.1	6.62	168	1/2
8	33.00	838.2	8.51	216	33.75	857.3	8.88	226	7.981	202.7	7.981	202.7	8.62	219	1/2
10	35.00	889.0	8.51	216	36.25	920.8	9.13	232	10.02	254.5	10.02	254.5	10.7	273	1/2
12	38.00	965.2	9.26	235	39.25	997.0	9.88	251	12.00	304.8	11.94	303.3	12.7	323	1/2
14	38.75	984.3	10.38	264	40.00	1016	11.0	279	13.25	336.6	13.13	333.5	14	355	1/2
16	38.75	984.3	10.38	264	40.25	1022	11.1	283	15.25	387.4	15.00	381.0	16	406	1/2
18	41.75	1061	10.88	276	43.25	1099	11.6	295	17.25	438.2	17.25	438.2	18	457	1/2
20	46.13	1171	11.06	281	47.50	1207	11.7	298	19.25	489.0	19.25	489.0	20	508	1/2
24	58.75	1492	15.38	391	60.00	1524	16.0	406	23.25	590.6	23.25	590.6	24	609	1/2

1. Overall length (A) tolerance varies with line size: 1/2" to 1", ±1/8" (±4mm); 1 1/2" to 10", ±3/16" (±6mm); 12" to 24", ±1/4" (±7mm).
2. Typical values shown.
3. Wall pressure ports are required for vertical up flow applications.



SPECIFICATION SHEET

MODEL NUMBER CONFIGURATION VW(L)

Type	Size		Materials‡		Pipe Schedule		End Connections		Fittings	
VW										
	0A	½"	Q	S304/L	D	Std	14	CL 150 RF WN	N	NPT
	0B	¾"	A	S316/L	R	30	15	CL 300 RF WN	S	Socket
	01	1"	U	CS Pipe S304 Cone, Support, & Couplings	E	40			F	Direct mount assembly
	0C	1½"			Q	60				
	02	2"	F	CS Pipe, Flanges, & Couplings, 316/L Cone & Supports	F	80				
	0D	2½"			J	100				
	03	3"	V	CS Pipe 316/L Cone, Supports, & Couplings	K	120				
	04	4"			L	140				
	06	6"	G	LTCS Pipe, Flanges, & Couplings, S316/L Cone & Supports	G	160				
	08	8"			P	XS				
	10	10"			H	XXS				
	12	12"								
	14	14"								
	16	16"								
	18	18"								
	20	20"								
	24	24"								

Several types of fittings available.

‡Other materials can include:
 HASTELLOY C-276
 DUPLEX 2205
 CHROMEMOLY P22/P11
 MONEL K400/K500
 CARBON STEELS
 A350, A333, API5L, A106B
 S321H
 INCONEL 625

Example: VW06QE14N V-Cone 6 inch line size, S304, schedule 40 pipe, ANSI CL 150 RF WN flanges, ½" NPT fittings

STANDARD PIPE SCHEDULES

Stainless Steel		Carbon Steel	
Size	Std.	Size	Std.
½" to 10"	E	6" to 16"	E
12" and up	D	18" and up	D

Meters 6" and smaller utilize seamless pipe.
 Meters 8" and larger utilize welded pipe.

ABBREVIATIONS

ASME	American Society of Mechanical Engineers		
NPT	National pipe taper		
SS	Stainless steel	RF	Raised Face
CS	Carbon steel	WN	Weld Neck

Technical questions can be answered through a local representative or through our application engineers.

MANUFACTURING STANDARDS

McCrometer's welders and welding procedures are qualified in accordance with ASME Section IX. All meters are visually inspected for weld defects. Specific customer requirements can be complied with upon request.

The welding can be in accordance with:

- ASME Section VIII
- ASME B31.1
- ASME B31.3

Non-destructive testing can include:

- Hydrostatic Pressure Testing
- Penetrant Examination
- Radiographic Examination
- Positive Material Inspection
- Magnetic Particle Examination

REPRESENTED BY:

