

DESCRIPTION

The M0300SW is a strap-on reverse-helix* propeller meter designed to shed debris often associated with surface water applications.

This flow meter is designed with the meter body turned 180 degrees from normal, a propeller installed nose-first on the bearing shaft, and a reverse flow style bearing assembly. This configuration allows the ell to curve with the flow, allowing grass or other debris to shed off with ease. The assembly design also reduces the ability of sand and silt to accumulate in the bearing.

All Mc Propeller flow meters are manufactured to comply with applicable provisions of AWWA Standard No. C704-02 for propeller-type flow meters.



FEATURES

Saddle

- The fabricated stainless steel saddle eliminates the fatigue-related breakage common to cast iron and aluminum saddles and provides unsurpassed corrosion protection.
- Fabricated stainless steel construction offers the additional advantage of being flexible enough to conform to out-of-true pipe.

Impellers

- The impellers are manufactured of high-impact plastic, capable of retaining their shape and accuracy over the life of the meter.
- Each impeller is individually calibrated at the factory to accommodate the use of any standard McCrometer register, and since no change gears are used, the M0300SW can be field-serviced without the need for factory recalibration.

Bearings

- Factory lubricated, stainless steel bearings are used to support the impeller shaft.
- The shielded bearing design limits the entry of materials and fluids into the bearing chamber providing maximum bearing protection.

Typical Applications

- Center pivot systems
- Sprinkler irrigation systems
- Drip irrigation systems
- Golf course and park water management
- Gravity turnouts from underground pipelines
- Commercial nurseries
- Water and wastewater management

Register

- The instantaneous flowrate indicator is standard and available in gallons per minute, cubic feet per second, liters per second and other units.
- The register is driven by a flexible steel cable with a magnetically coupled drive, encased within a protective vinyl liner.
- The register housing protects both the register and cable drive system from moisture while allowing clear reading of the flowrate indicator and totalizer.*
- 4" meters use a forward helix propeller with a reverse register.

INSTALLATION

Standard installation is horizontal mount. If the meter is to be mounted in the vertical position, please advise the factory. A straight run of full pipe the length of eight pipe diameters upstream and five diameters downstream of the meter is recommended for meters without straightening vanes. Meters with optional straightening vanes require at least three pipe diameters upstream and two diameters downstream of the meter.

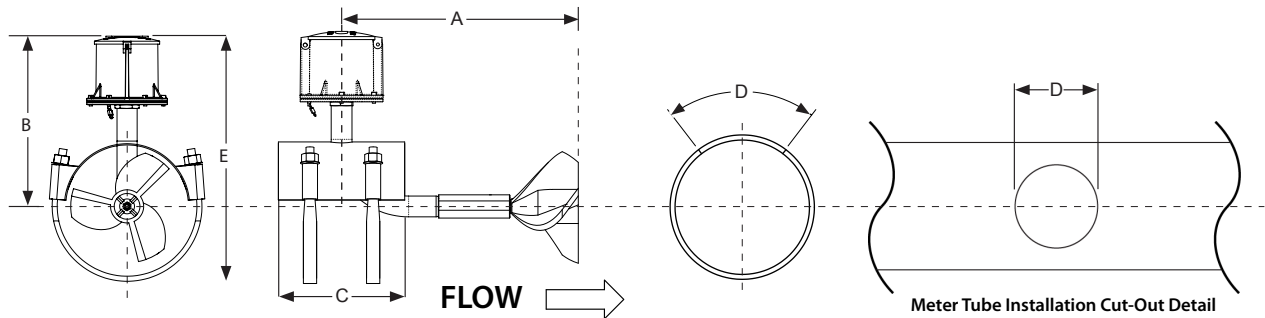
SPECIFICATIONS

Performance	
Accuracy / Repeatability	<ul style="list-style-type: none"> ±2% of reading guaranteed throughout full range ±1% over reduced range Repeatability 0.25% or better
Maximum Temperature	(Standard Construction) 160°F constant
Pressure Rating	150 psi. Consult factory for higher rated version.

Materials	
Saddle	304 stainless steel construction
Bearing Assembly	Impeller shaft is 316 stainless steel. Ball bearings are 440C stainless steel
Magnets	(Permanent type) Alnico
Bearing Housing	For models 4" to 16": 304 stainless steel standard, 316 stainless steel optional
Register	An instantaneous flowrate indicator and six-digit straight-reading totalizer are standard. The register is hermetically sealed within a die cast aluminum case. This protective housing includes a domed acrylic lens and hinged lens cover with locking hasp.
Impeller	Impellers are manufactured of high-impact plastic, retaining their shape and accuracy over the life of the meter.

Options	
	<ul style="list-style-type: none"> Extended warranty Register extensions High temperature construction, 180°F max Marathon bearing assembly for higher than normal flowrates 4" and larger Digital register available in all sizes of this model A complete line of flow recording / control instrumentation Canopy boot Saddle can be constructed to fit any outside diameter pipe dimensions, including metric sizes. Blank repair saddle Can be used on a variety of pipe materials such as steel, plastic, cast iron, cement or asbestos cement

DIMENSIONS



M0300SW	DIMENSIONS						
Meter and Nominal Pipe Size	4	6	8	10	12	14	16
Maximum Flow U.S. GPM	600	1200	1500	1800	2500	3000	4000
Minimum Flow U.S. GPM	50	90	100	125	150	250	275
Approx. Head Loss in Inches at Max. Flow	23.00	17.00	6.75	3.75	2.75	2.00	1.75
Approx. Shipping Weight-lbs.	12	17	21	24	28	28	30
A (inches)	7 5/8	15	15	15	15	15	15
B (inches)	8 1/4	10 3/4	10 3/4	10 3/4	11 3/4	13 3/4	13 3/4
C (inches)	7	8	8	9 1/2	9 1/2	9 1/2	9 1/2
D (inches)	4*	5 1/8*	6*	7*	7 1/4	7 1/4	7 1/4
E (inches)	10 3/4	14	15	17	19	20 5/8	21 5/8

For larger sizes see Model M1400.

McCrometer reserves the right to change design or specification without notice.

*Standard pipe only. For other than standard pipe, consult factory for cutout dimensions.

Please specify the inside diameter of the pipe when ordering.

PIPE RUN REQUIREMENTS

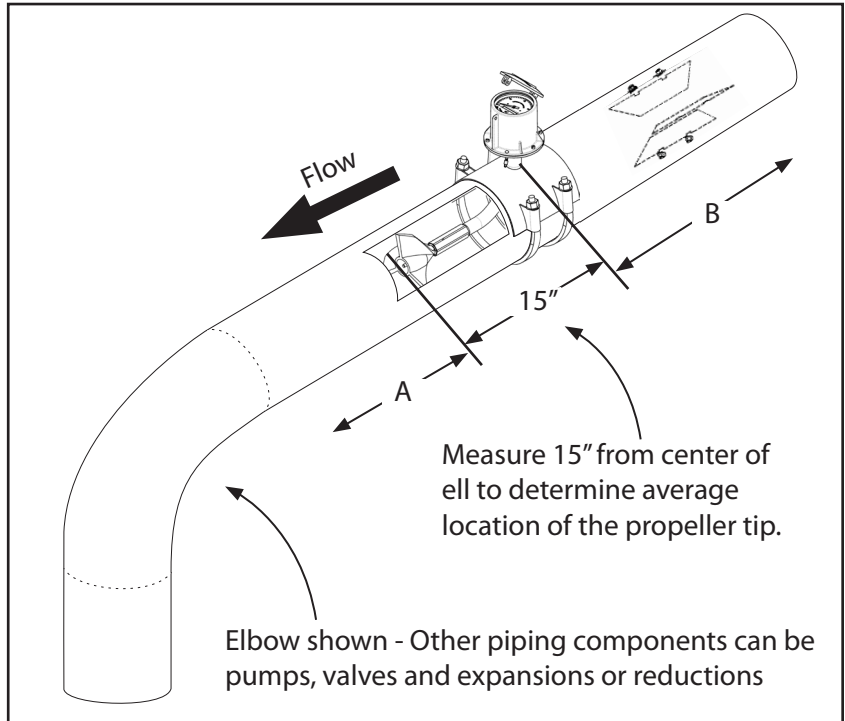
Upstream Requirement

Mc Propeller meters should be installed a minimum of eight diameters downstream of any obstructions.

Downstream Requirement

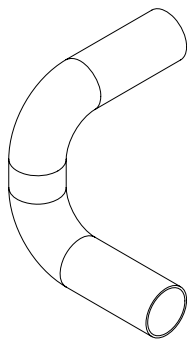
The downstream run should be five diameters of straight pipe length after the meter.

Configuration	A	B
Without straightening vanes	8	5
With straightening vanes	3	2

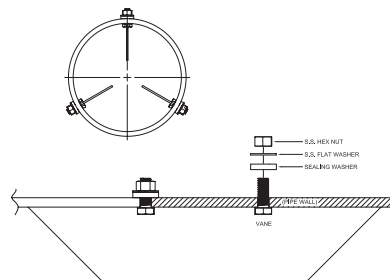


STRAIGHTENING VANES

Special attention should be given to systems using two elbows “out of plane” or devices such as a centrifugal sand separator. These cause swirling flow in the line that affect propeller meters. Well developed swirls can travel up to 100 diameters downstream if unobstructed. Since most installations have less than 100 diameters to work with, straightening vanes become necessary to alleviate the problem. Straightening vanes will break up most swirls and ensure more accurate measurement. McCrometer actively encourages installing vanes just ahead of the meter. Straightening vanes are available in weld-in and bolt-in.

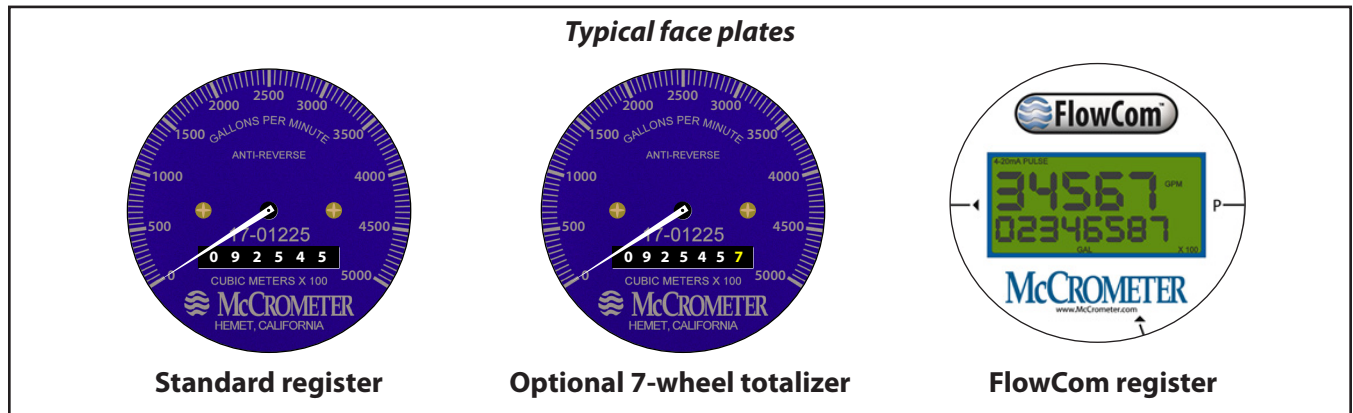


Elbows out of plane



Bolt-in straightening vanes

TOTALIZERS



Mechanical Totalizer

The instantaneous flowrate indicator is standard and available in gallons per minute, cubic feet per second, liters per second and other units. The register is driven by a flexible steel cable encased within a protective vinyl liner. The register housing protects both the register and cable drive system from moisture while allowing clear reading of the flowrate indicator and totalizer.



Digital Totalizer

The optional FlowCom register displays a flowmeter's flowrate and volumetric total. Available are optional outputs: scaled pulse and/or industry standard 4-20mA signal. The FlowCom can be fitted to any new or existing McCrometer propeller flowmeter.



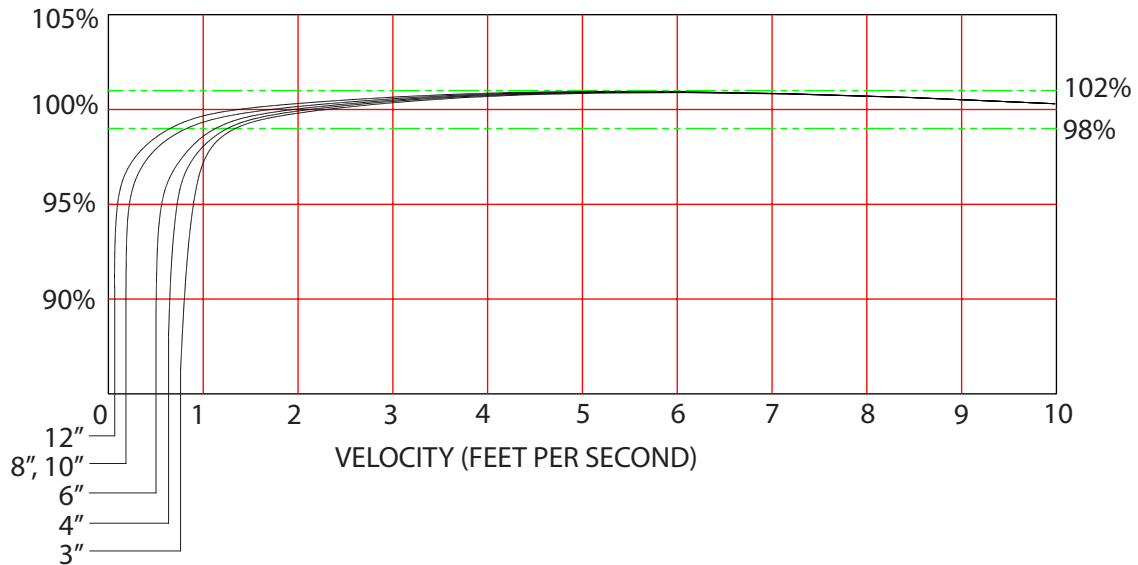
Wireless Telemetry

The optional FlowConnect is designed specifically for wireless telemetry via either satellite or cellular data service. Manual meter reading is never required. It uses either the mechanical register or the digital register (both shown above).

You can determine how often readings are made and transmitted to the cloud database, which you can view on a PC or on a cell phone. The viewing utility provides data tools that can analyze flow rate, consumption, and possible anomalies in an irrigation system.

Accuracy

ACCURACY CHART



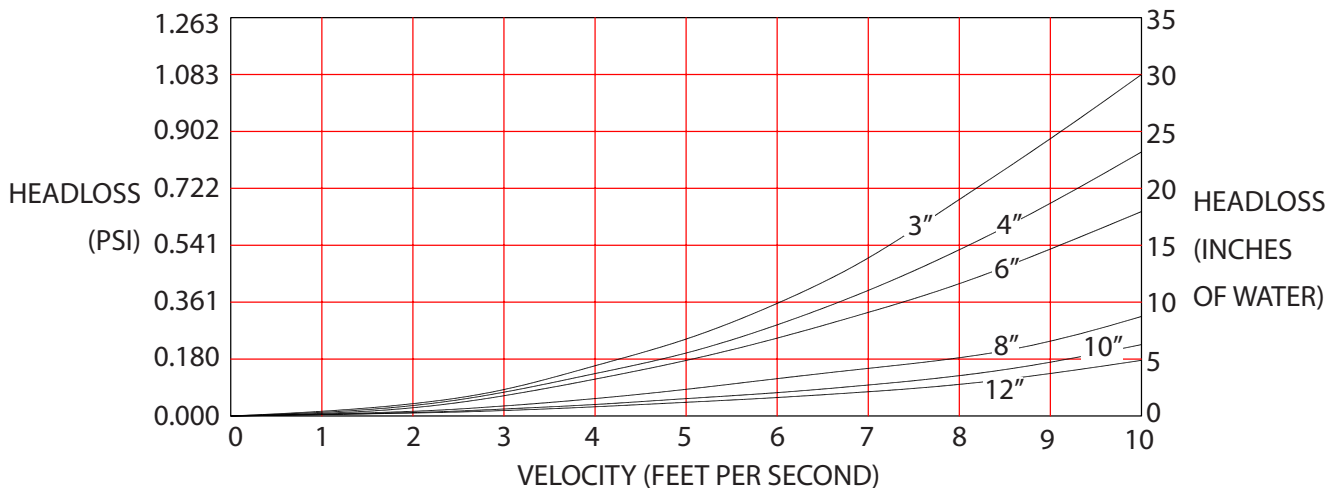
Standard flowrates for McCrometer propeller meters are shown below. Readings are guaranteed accurate within $\pm 2\%$ in these flowrates. Please note that over 80 percent of the meter's flow range, the accuracy is better than $\pm 1\%$.

Nominal Meter Size	2"	2.5"	3"	4"	6"	8"	10"	12"	14"	16"	18"	20"	24"
Minimum Flow(U.S.GPM)	40	40	40	50	90	100	125	150	250	275	400	475	700
Maximum Flow(U.S.GPM)	250	250	250	600	1200	1500	1800	2500	3000	4000	5000	6000	8500
Dial Face Range	250	250	250	800	1300	2500	3000	4000	6000	8000	10000	10000	15000

Headloss

Headloss refers to the fluid pressure lost due to the meter. Propeller meters have very low permanent headloss as seen in the chart below.

HEADLOSS CHART



Nominal Meter Size	3"	4"	6"	8"	10"	12"	14"	16"	18"	20"	24"
Max. Headloss (in. H ₂ O column)	30	23	17	7	4	3	2	2	2	1	1

Copyright © 2001-2019 McCrometer, Inc. All printed material should not be changed or altered without permission of McCrometer. Any published pricing, technical data, and instructions are subject to change without notice. Contact your McCrometer representative for current pricing, technical data, and instructions.